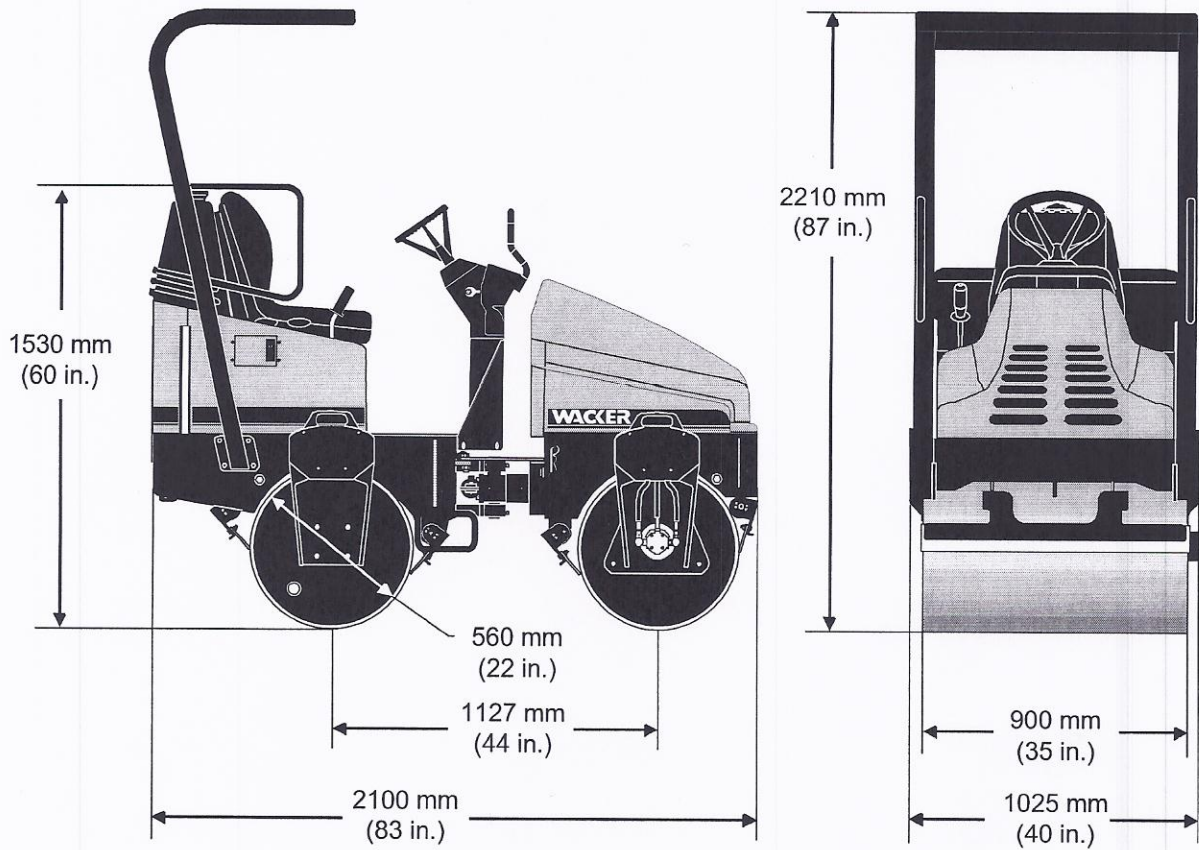


3.4 Dimensions



wc\_gr000213

**3.2 Roller**

Item No.	<b>RD 11A</b> 0007693	<b>RD 11AEC</b> 0007695	<b>RD 11V</b> 0007694
<b>Roller</b>			
Dry Weight	925 (2040)	1067 (2353)	925 (2040)
Curb Clearance:			
Right	470 (18.4)	390 (15.4)	470 (18.4)
Left	205 (8.1)	210 (8.7)	205 (8.1)
Water Tank Capacity	151 (40)		
Outside Turning Radius	2.8 (9.2)		
Forward / Reverse Speed	0-126 (0-414)		
Gradeability	27% (12°)		
Vibration Frequency	65 (3900)		